



Capture 100% of the Production Stream

Removes oxygen from the production stream to eliminate emissions and increase production.

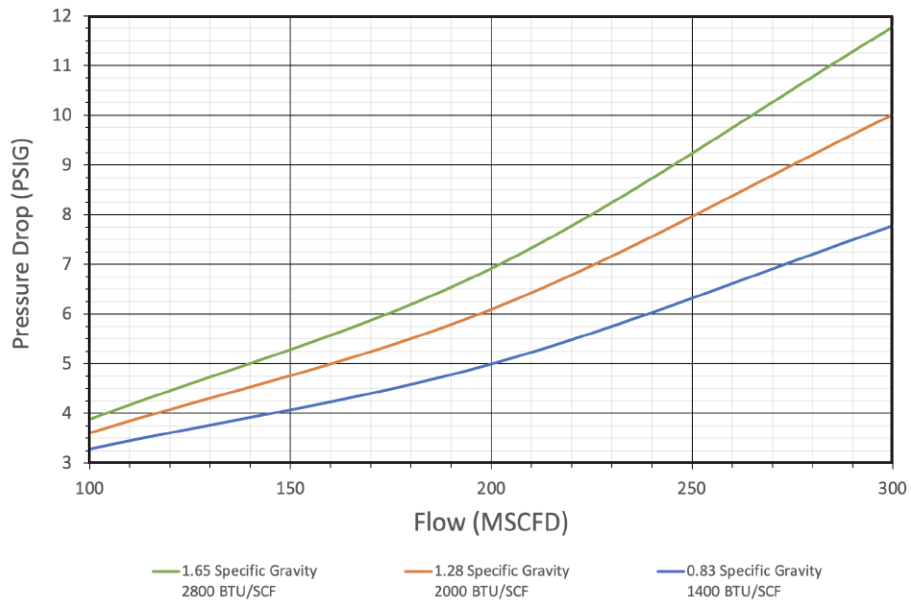
- Increased cash flow from higher recovery
- Allows the potential for zero emission sites
- Avoid shut-ins of gas sales
- Over 2.5 million hours of uptime performance
- 24-hour remote monitoring
- Over 200 installations in all major basins
- No moving parts



Zero₂ E300 Specifications

Flow Capacity:	300 MSCFD
Turndown:	4 : 1
Standard System MAWP:	330 PSIG at 800F
System MAWP w/ High Pressure Package:	410 PSIG at 800F
Relief Pressure:	330 PSIG
Typical Pressure Drop:	10 PSIG
Max O ₂ at Inlet:	35,000 ppm, 50,000 ppm intermittent
Typical O ₂ at Outlet:	0-5 ppm
Max H ₂ S at Inlet:	2 ppm
Power Draw (Startup):	45 kW
Power Draw (Nominal):	15 kW
Skid Hazard Classification:	C1D2 (excl. control panel)
Power Requirements	3/60/480VAC, 60A
480V Power Panel	remote-mounted, not rated for hazloc
Inlet/Outlet	2" ANSI 300# RFF
Dimensions	4' w, 4' d, 10' h
Reactor Maintenance	Annually

ZerO2 E300 Pressure Drop at 150 PSIG Discharge Pressure



*Contact EcoVapor Engineering for ZerO₂ E300 pressure drop at different discharge pressures.

ECOVAPOR ZER₂O

Corporate Office

1442 Delgany St. Suite 100

Denver, CO 80202

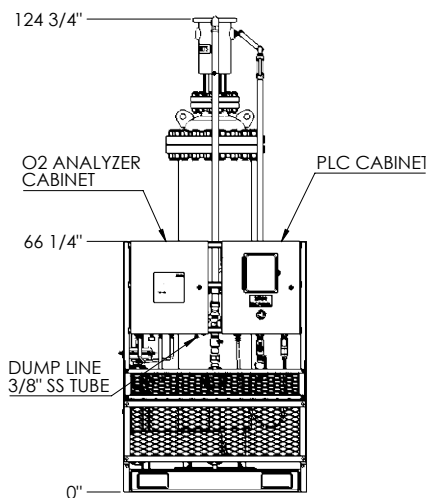
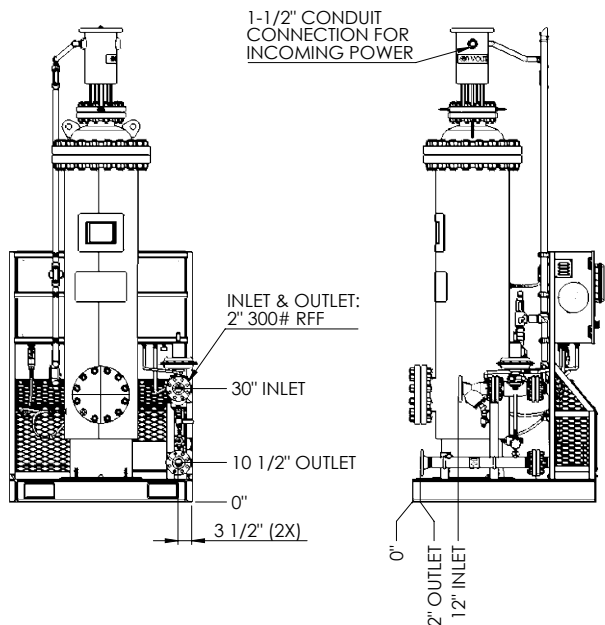
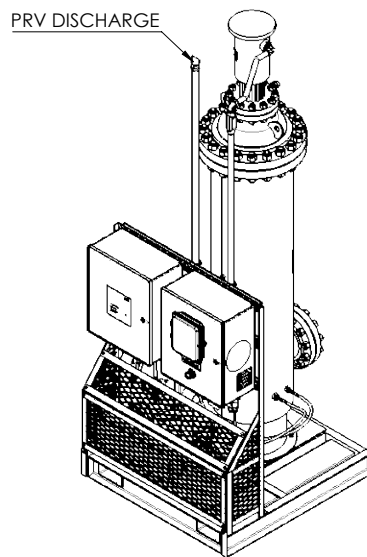
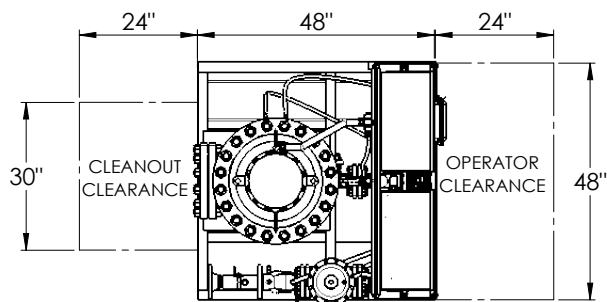
Field Offices

1804 Cherry Ave.

Greeley, CO 80631

1915 Goode St.

Midland, TX 79701



info@EcoVaporRS.com

1-844-No-Flare
(844.663.5273)