



Capture 100% of the Production Stream

Removes oxygen from the production stream to eliminate emissions and increase production.

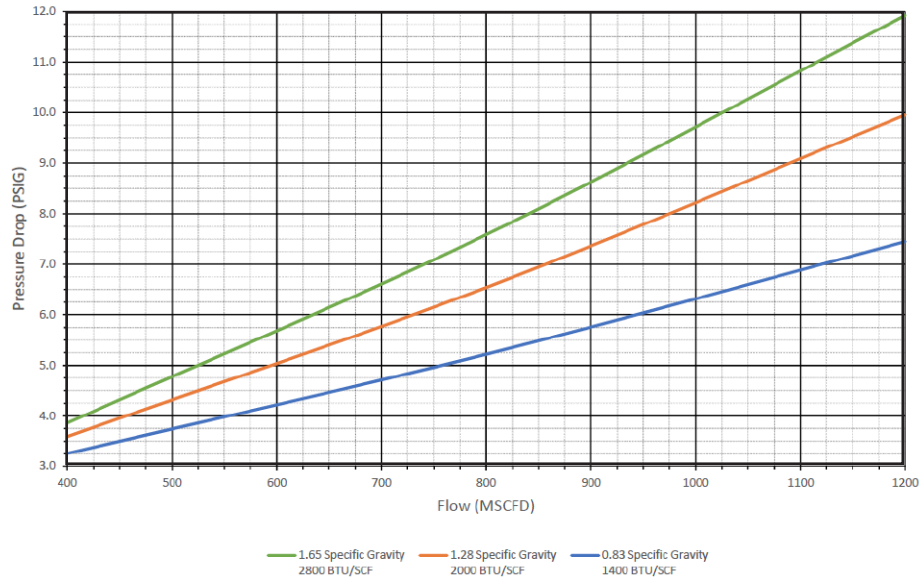
- Increased cash flow from higher recovery
- Allows the potential for zero emissions sites
- Avoid shut-ins of gas sales
- Over 2.5 million hours of uptime performance
- 24-hour remote monitoring
- Over 200 installations in all major basins
- No moving parts



Zero₂ E1200 Specifications

Flow Capacity	1200 MSCFD
Turndown.	4 : 1
System MAWP	330 PSIG at 800F
Relief Pressure	330 PSIG
Typical Pressure Drop.	10 PSIG
Max O ₂ at Inlet	35,000 ppm, 50,000 ppm intermittent
Typical O ₂ at Outlet	0-5 ppm
Max H ₂ S at Inlet	2 ppm
Power Draw (Startup).	150 kW
Power Draw (Nominal).	50 kW
Skid Hazard Classification	CID2 (excl. control panel)
Power Requirements.	3/60/480 VAC, 180A
480V Power Panel.	remote-mounted, not rated for hazloc
Inlet/Outlet.	2" ANSI 300# RFF
Dimensions	69" x 53" x 132"
Reactor Maintenance	Annually

ZerO2 E1200 Pressure Drop at 150 PSIG Discharge Pressure



*Contact EcoVapor Engineering for ZerO₂ E1200 pressure drop at different discharge pressures.



Corporate Office

1442 Delgany St. Suite 100

Denver, CO 80202

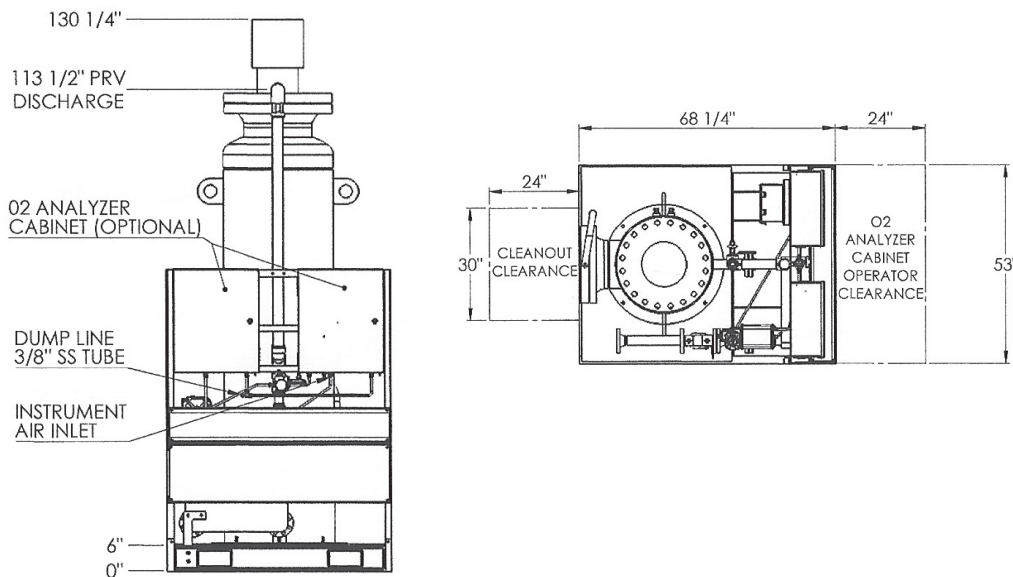
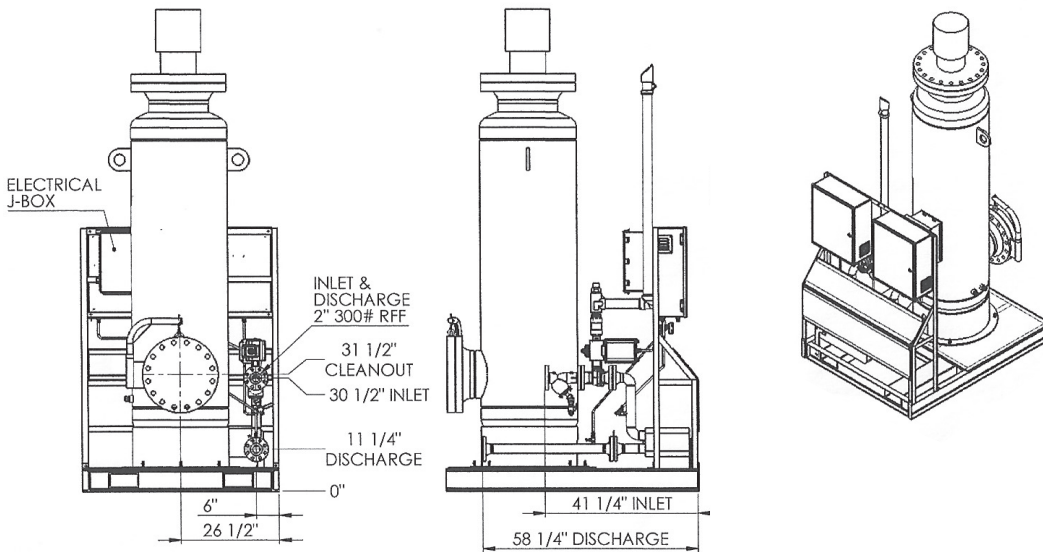
Field Offices

1804 Cherry Ave.

Greeley, CO 80631

915 Goode St.

Midland, TX 79701



info@EcoVaporRS.com

1-844-No-Flare
(844.663.5273)