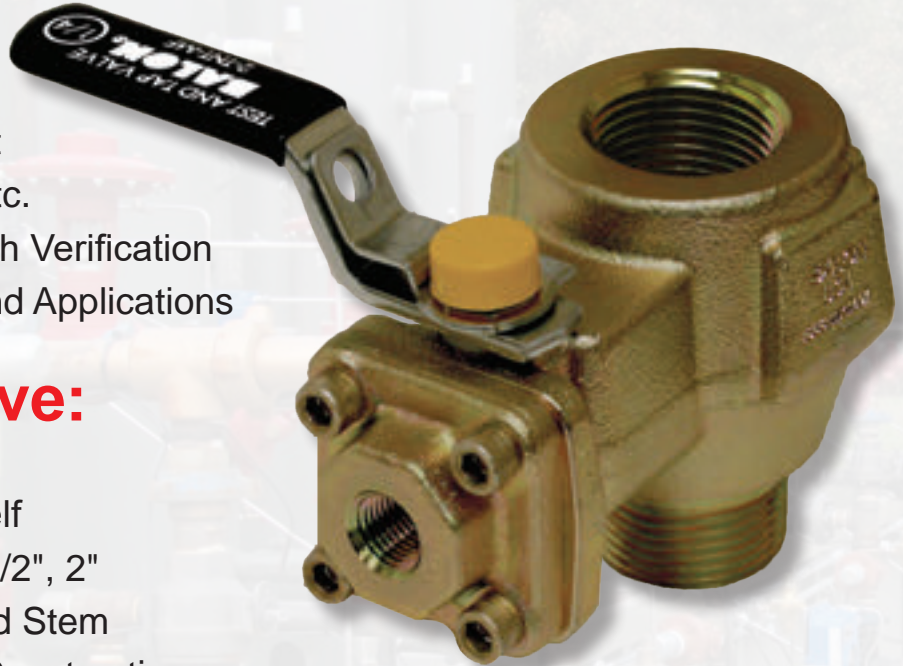


BALON®

TNT THREADED VALVE

Installation Applications:

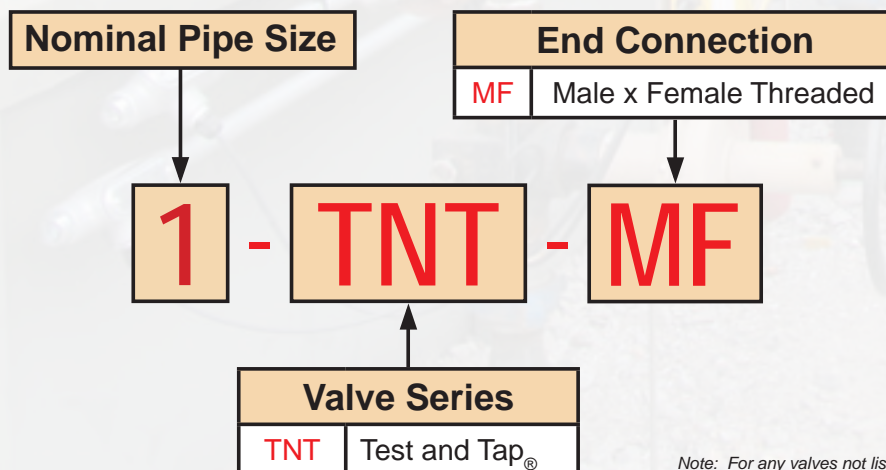
- ✓ Sampling
- ✓ Chemical Injection
- ✓ Relief Valve Testing
- ✓ Instrumentation Attachment
- ✓ Drains, Taps, Farm Taps, etc.
- ✓ ESD/Safety Pressure Switch Verification
- ✓ Pressure Relief on Blind End Applications



BALON® TNT Valve:

- Fire Safe Design
- Ready to Install Off the Shelf
- Sizes Available 3/4", 1", 1 1/2", 2"
- 316 Stainless Steel Ball and Stem
- BALON Valve Has Bolted Construction
- Certified Low Emission Valve Per API 641
- NACE Standard and Rated -50 °F to 212 °F Service

Test and Tap® Valve Identification Key



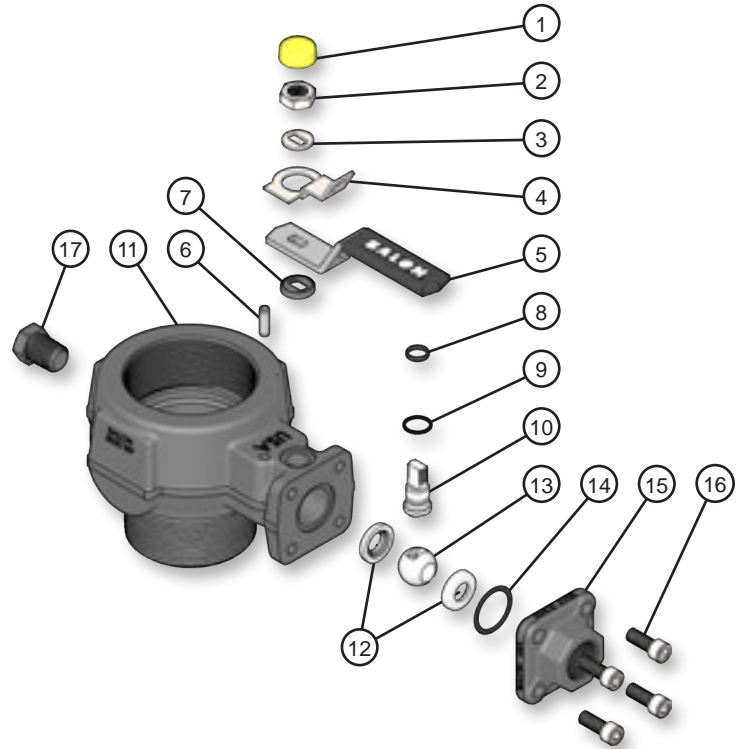
Note: For any valves not listed please consult factory.

Test and Tap® Valve

Material Description

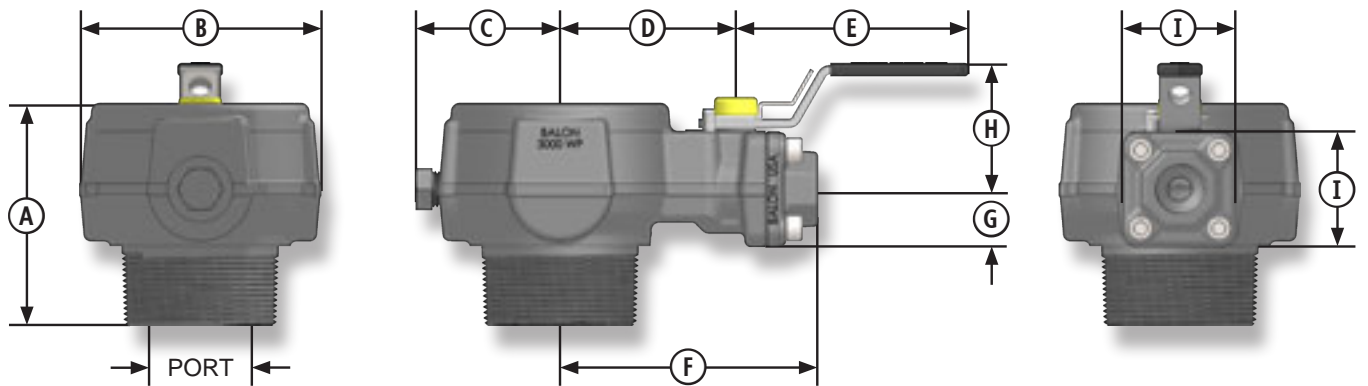
ITEM	PART NAME	MATERIAL (NACE)
1	Weather Guard	Polyethylene
2	Stem Nut	Carbon Steel
3	Spacer	Carbon Steel
4	Lock Plate	Carbon Steel
5	Handle*	Carbon Steel
6	Stem Washer	Acetal
7	Stop Pin	Carbon Steel
8	Stem O-Ring	Fluorocarbon
9	Stem Seal	TFE
10	Stem	316 Stainless Steel
11	Body	ASTM A350 LF2 CL1
12	Seat	Nylon 11 (TFE Optional)
13	Ball	316 Stainless Steel
14	Body O-Ring	Fluorocarbon
15	End Adapter	ASTM A350 LF2 CL1
16	Body Bolts	ASTM A320 L7M
17	NPT Pipe Plug	Carbon Steel

* Handle and lock device are standard.



Dimensional Data

SIZE	CATALOG NUMBER	PORT	WP	A	B	C	D	E	F	G	H	I	LBS
0.75	3/4-TNT-MF	.75	3,000	3.00	2.50	1.54	2.21	3.50	3.50	0.87	1.88	1.75	3.50
1	1-TNT-MF	0.91	3,000	3.00	2.50	1.54	2.21	3.50	3.50	0.87	1.88	1.75	3.50
1.5	1.5-TNT-MF	1.38	3,000	3.60	3.26	1.97	2.60	3.50	3.90	0.87	1.88	1.75	4.75
2	2-TNT-MF	1.88	3,000	3.40	3.68	2.20	2.68	3.50	4.00	0.87	1.88	1.75	5.00



BALON® TNT FLANGED VALVE

Installation Applications:

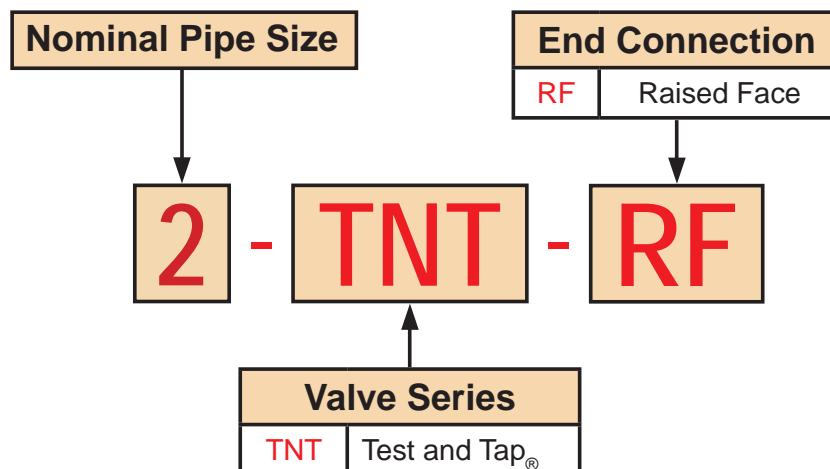
- ✓ Pressure Relief on Blind End Applications
- ✓ ESD/Safety Pressure Switch Verification
- ✓ Drains, Taps, Farm Taps, etc.
- ✓ Instrumentation Attachment
- ✓ Relief Valve Testing
- ✓ Chemical Injection
- ✓ Sampling

BALON® TNT Valve:

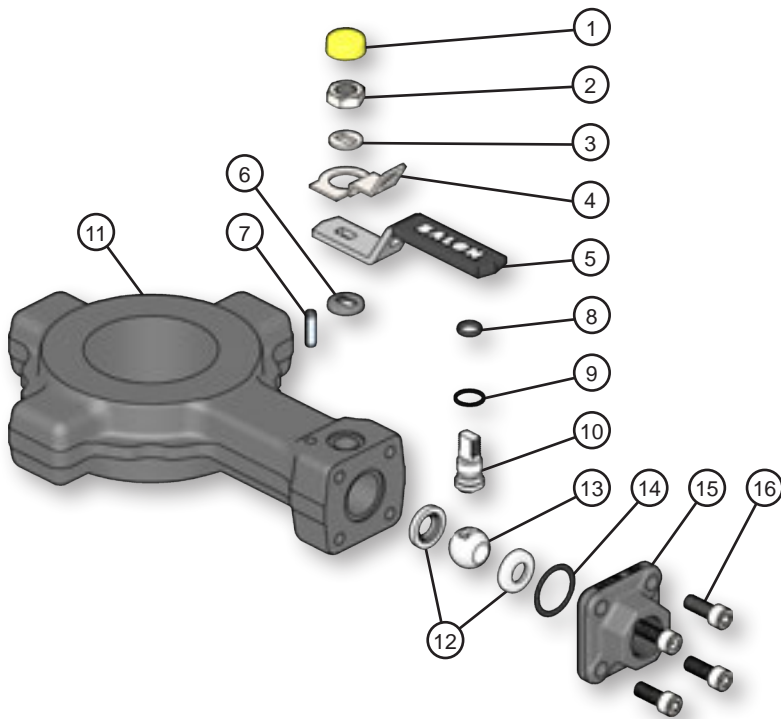
- Fire Safe Design
- Ready to Install Off the Shelf
- Sizes Available 2" Through 12"
- 316 Stainless Steel Ball and Stem
- BALON Valve Has Bolted Construction
- Certified Low Emission Valve Per API 641
- Single Size Fits 150/300/600 ANSI Class Flanges
- NACE Standard and Rated -50 °F to 212 °F Service
- Replaces Separate Bleed Ring, Nipple and Valve Commonly Used



Test and Tap® Valve Identification Key



TEST AND TAP® VALVE - Flanged Series



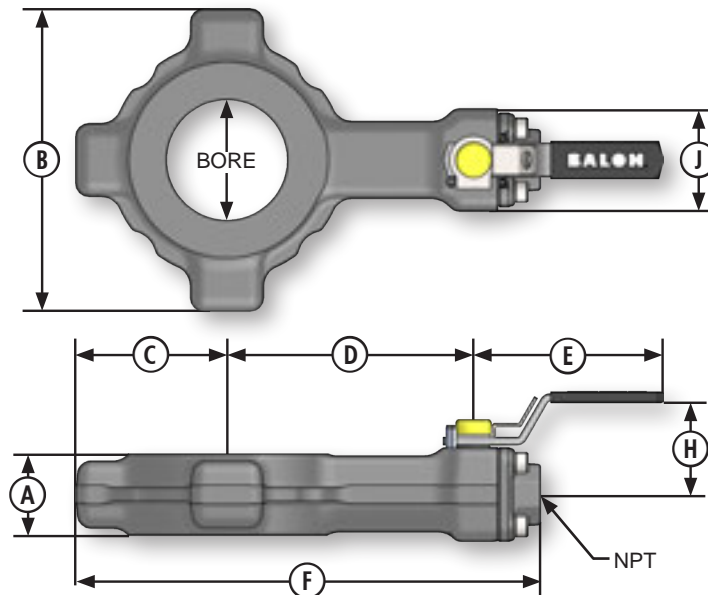
Material Description

ITEM	PART NAME	MATERIAL (NACE)
1	Weather Guard	Polyethylene
2	Stem Nut	Carbon Steel
3	Spacer	Carbon Steel
4	Lock Plate	Carbon Steel
5	Handle*	Carbon Steel
6	Stem Washer	Acetal
7	Stop Pin	Carbon Steel
8	Stem O-Ring	Fluorocarbon
9	Stem Seal	TFE
10	Stem	316 Stainless Steel
11	Body	ASTM A350 LF2 CL1
12	Seat	Nylon 11 (TFE Optional)
13	Ball	316 Stainless Steel
14	Body O-Ring	Fluorocarbon
15	End Adapter	ASTM A350 LF2 CL1
16	Body Bolts	ASTM A320 L7M

* Handle and lock device are standard.
Additional ports available on request.

Dimensional Data

SIZE	CATALOG NUMBER	BORE	ANSI CLASS	A	B	C	D	E	F	H	J	NPT	VALVE WP	LBS
2	2-TNT-RF	2.25	150/300/600	1.5	5.6	2.8	4.6	3.53	8.7	1.7	1.8	1/2"	3000	6.9
3	3-TNT-RF	3.38	150/300/600	1.5	6.9	3.45	5.5	3.53	10.2	1.7	1.8	1/2"	3000	8.9
4	4-TNT-RF	4.38	150/300	1.5	8.4	4.2	6.4	3.53	11.9	1.7	1.8	1/2"	3000	11.6
4		4.38	600	1.5	8.5	4.25	6.7	3.53	12.2	1.7	1.8	1/2"	3000	12
6	6-TNT-RF	6.38	150/300/600	1.5	12.1	6.05	9.18	4.87	17.9	2.56	2.62	1"	3000	21
8	8-TNT-RF	8.38	150/300/600	1.5	14.2	7.1	10.2	4.87	19.3	2.56	2.62	1"	3000	27
10	10-TNT-RF	10.38	150/300/600	1.5	17.6	8.8	12.5	4.87	23.4	2.56	2.62	1"	3000	35
12	12-TNT-RF	12.38	150/300/600	1.5	19.8	9.9	13.6	4.87	25.7	2.56	2.62	1"	3000	40



NOTE: For any valve not listed, please consult factory.